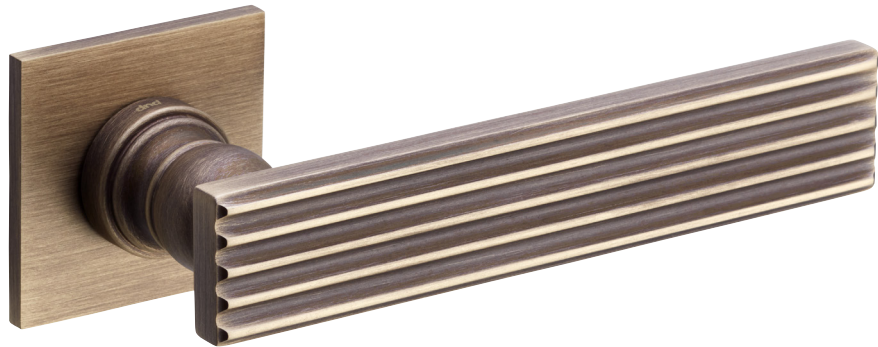


# eleonora 02

design:  
Marco Pisati

made in italy



EL41  
OGH

082-

dnd22-23

new 2022

Ottone forgiato  
*Forged brass*



**OGH**  
Bronzo satinato opaco  
*Matt satin bronze*



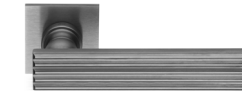
**ONV**  
Nickel lucido  
*Polished nickel*



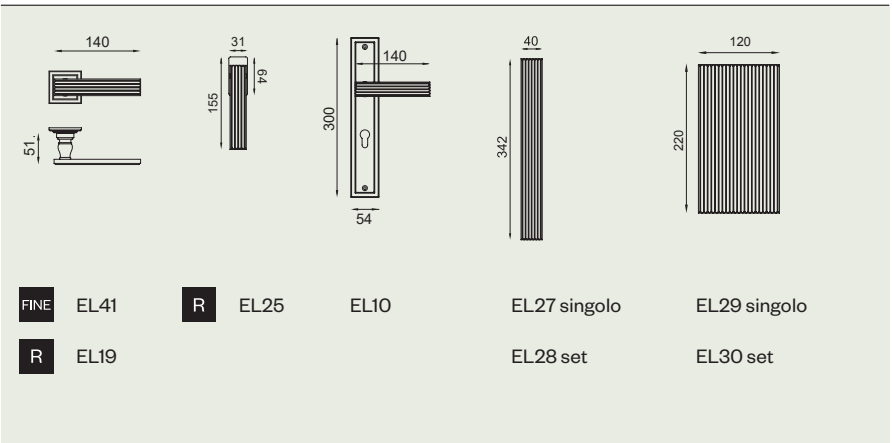
**PVD-BG | forte®**  
Oro antico lucido  
*Antique bright gold*



**PVD-SG | forte®**  
Oro antico satinato  
*Antique satin gold*



**PGS | forte®**  
Grafite satinato  
*Satin graphite*



083